

GB Instruction for use

POWERTEX



Chain Sling in a Box PCSB Grade 10

User Manual



POWERTEX Chain Sling in a Box PCSB Instruction for use (GB) (Original instructions)

General:

The work with lifting devices and equipment must be planned, organized, and executed to prevent hazardous situations. In accordance with national statutory regulations lifting devices and equipment must only be used by someone well familiar with the work and having theoretical and practical knowledge of safe use. Before the equipment is used, the instruction manual must be read. It contains important information about how the equipment will work in a safe and correct way. If the equipment is used in accordance with this instruction manual risks and damages can be avoided. Apart from the instruction manual we refer to existing national regulations that may supersede these instructions.

POWERTEX chain slings are CE-marked and are delivered with a POWERTEX Certificate & Declaration of Conformity to Machinery Directive 2006/42/EC. The slings follow EN 818-4 (Grade 8) with exception for higher WLL (+25%) and limitation of using temperature to max 200°C.

Use in adverse environments

Temperature's effect on working load limit (WLL): Account should be taken to the temperature that can be reached by the chain sling in service. POWERTEX chain slings in grade 10 can be used in temperatures between -40°C and +200°C without reduction of the working load limits.



If the chain sling reaches temperatures that exceed the allowed temperatures the sling should be discarded or be returned to your distributor for evaluation.

Acidic conditions

Chain slings in grade 10 should not be used either immersed in acidic solutions or exposed to acid fumes. Chain slings should for the same reason, not be hot dip galvanized or exposed to electrolytic finishing without permission from the manufacturer.

Chemical affects

Consult with your distributor in case the slings are to be exposed to chemicals especially combined with high temperatures.

Hazardous conditions

In particularly hazardous conditions including offshore activities, lifting of a person, and lifting of potentially dangerous loads such as molten metals, corrosive materials or fissile materials, the degree of hazard should be assessed by a competent person and the working load limit adjusted accordingly.

Before first use

Before first use of the chain sling the user should ensure that:

- a) the sling is precisely as ordered;
- b) the manufacturer's Certificate/Declaration of Conformity and User manual is at hand;
- c) the identification and working load limit marking on the sling correspond to the information on the certificate;
- d) full details of the sling are recorded in a register of slings;

Before each use

Before each use, the chain sling should be inspected for obvious damage or deterioration. If faults are found during this inspection, the procedure given in "Inspection and maintenance" should be followed.

Choosing the correct chain sling

Mass of the load: It is essential that the mass of the load to be lifted is known.

Method of connection: A chain sling is usually attached to the load and the lifting machine by means of terminal fittings such as hooks and links. Chains should always be used without twists or knots. Use the shortening hooks to adjust chain legs that needs shortening.

The lifting point should be well seated inside the hook, never on the point or wedged into the opening. The hook should be free to incline in any direction to avoid bending. For the same reason, the master link should be free to incline in any direction on the hook to which it is fitted.

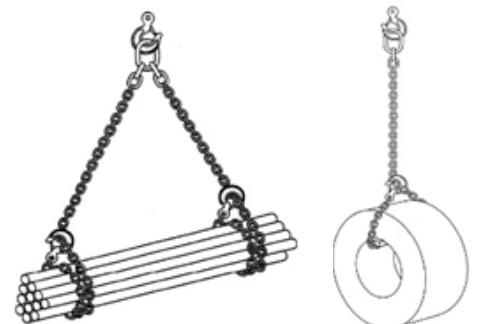
The chain may be passed under or through the load to form a choke hitch or basket hitch. Where it is necessary, due to the danger of the load tilting, to use more than one chain sling in a basket hitch, this should preferably be done in conjunction with a lifting beam.

When a chain sling is used in a choke hitch, the chain should be allowed to assume its natural angle and should not be hammered down.

Chain slings may be attached to the load in several ways

Straight leg: In this case lower terminals are connected directly to the attachment points. Selection of hooks and attachment points should be such that the load is carried in the seat of the hook and tip loading of the hook is avoided. In the case of multi-leg chain slings hook tips should point outwards unless the hooks are specifically designed to be used otherwise.

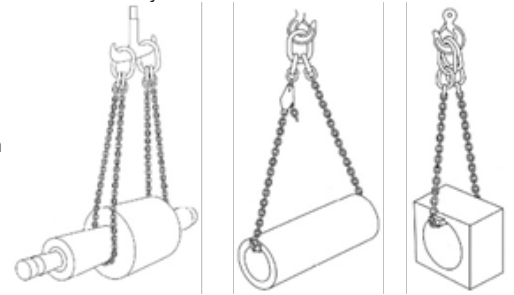
Choke hitch: In this case chain sling legs are passed through or under the load and the lower terminal back hooked or reeved onto the chain. This method can, therefore, be used where no suitable attachment points are available and has the additional advantage that the chain sling legs tend to bind the load together. Where choke hitch is employed the working load limit (WLL) of the chain sling should be no more than 80% of that marked.



Wrap and choke hitch

Choke hitch

Basket hitch: The chain sling is passed through or under the load, the lower terminals are connected directly to the master link or to the hook of the lifting machine. Generally, this method requires two or more chain sling legs and should not be used for lifting loads which are not held together. Where the load geometry permits, a single leg chain sling can be used provided that the chain sling passes through the load directly above the center of gravity of the load.



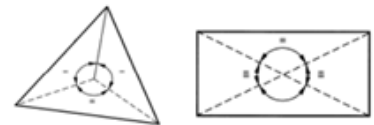
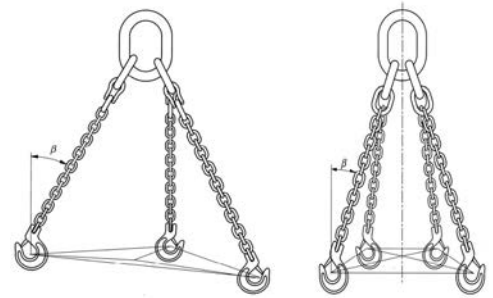
Basket hitch

Wrap and choke or wrap and basket hitch: These methods are adaptations of choke hitch and basket hitch, designed to provide extra security of loose bundles and involve taking an extra loop of chain completely around the load.

If two or more chain sling legs are used in a choke hitch or a wrap and choke hitch care should be taken:

- a) if it is important to avoid imparting a torque to the load, to align the chokes; or
- b) if it is important to avoid the load rolling or moving laterally when first lifted, to ensure that at least one leg passes either side of the load.

Symmetry of loading: Working load limits (WLL) for chains slings of different dimensions and configurations have been determined on the basis that the loading of the chain sling is symmetrical. This means that when the load is lifted the chain sling legs are symmetrically disposed in plan and subtend the same angles to the vertical. In the case of three leg chain slings, if the legs are not symmetrically disposed in plan the greatest tension will be in the leg where the sum of the plan angles to the adjacent legs is greatest. The same effect will occur in 4 leg chain slings except that the rigidity of the load should also be taken into account, with a rigid load the majority of the mass may be taken by only three or even two legs with the remaining leg or legs serving only to balance the load.



Symmetry of loading

In the case of 2-, 3- and 4- leg chain slings, if the legs subtend different angles to the vertical the greatest tension will be in the leg with the smallest angle to the vertical. In the extreme case, if one leg is vertical, it will carry the entire load.

If there is both a lack of symmetry in plan and unequal angles to the vertical the two effects will combine and may either be cumulative or tend to negate each other. The loading can be assumed to be symmetric if all of the following conditions are satisfied and the load is less than 80% of marked WLL:

- a) chain sling leg angles to the vertical are all not less than 15°; and
- b) chain sling leg angles to the vertical are all within 15° to each other; and
- c) in the case of three- and four-leg chain slings, the plan angles are within 15° of each other.

If all of the above parameters are not satisfied, then the loading should be considered as asymmetric and the lift referred to a competent person to establish the safe rating for the chain sling. Alternatively, in the case of asymmetric loading, the chain sling should be rated at half the marked WLL.

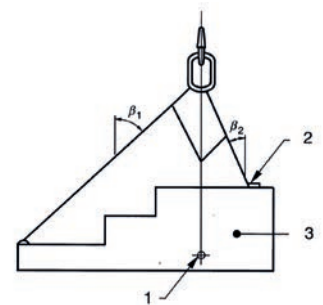
If the load tends to tilt, it should be lowered, and the attachments changed. This can be accomplished by re-positioning, the attachment points or by using compatible shortening devices in one or more of the legs. Such shortening devices should be used in accordance with the distributor's instructions.

Center of gravity: It is assumed that the attachment point of the hook is directly above the center of gravity of the load.

The position of the center of gravity of the load in relation to all attachment points for the chain sling should be established. To lift the load without rotation or overturning following conditions should be met:

- a) For single-leg and single endless slings the attachment point should be vertically above the center of gravity.
- b) For 2-leg slings the attachment points should either side of and above the center of gravity. For 3- and 4-leg slings the attachment points distributed in plan around the center of gravity. It is preferable that the distribution should be equal and that the attachment points are above the center of gravity.

When using 2-, 3- and 4-leg slings the attachment points and sling configuration should be selected to achieve angle between the sling's legs and the vertical within the range marked on the sling. Preferably all angle to the vertical angle (angle β) should be equal. Angles to the vertical of less than 15° should be avoided if possible as they present a significantly greater risk of load imbalance.



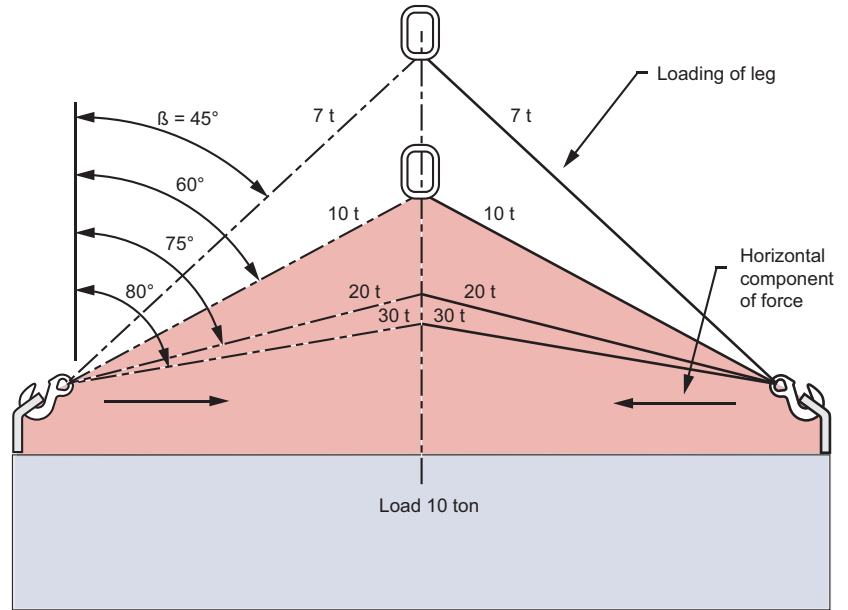
1. Centre of gravity
2. High tension in this leg
3. Load P

Horizontal forces

All multi-leg slings exert a horizontal component of force (see figure) which increases as the leg angle to the vertical is increased. As a result of this the leg angle should never exceed 60°. Care should always be taken to ensure that the load to be moved is able to resist the horizontal component of force, without being damaged.

How the load of sling leg changes according to the vertical angle for a 10 ton load.

The red area indicates angles greater than 60° for which slings are not intended to be used.



Reduction of WLL due to sharp edges

It is important to protect the chain links from damages from sharp edges. If proper padding can't be used the WLL of the sling needs to be reduced according to below reduction table.

Edge load effect on WLL	R = larger than 2 x chain \emptyset	R = larger than chain \emptyset	R = chain \emptyset or smaller
Load factor	1 x WLL	0,7 x WLL	0,5 x WLL

Working load limit (WLL) of the chain sling

Taking into consideration the recommendations and the cumulative effects of de-rating, the method of slinging should be decided, and a suitable chain sling selected so that the mass to be lifted does not exceed the WLL of the sling.

Load diagram

Chain	Single	2-leg*	3-4-leg*	Endless				
\emptyset	mm	mm	mm	mm				
	Straight	Choke	Basket	0°-45°	45°-60°	0°-45°	45°-60°	Choke
6	1,4	1,12	2,8	2	1,4	3	2,12	2,24
8	2,5	2	5	3,55	2,5	5,3	3,75	4
10	4	3,15	8	5,6	4	8	6	6,3
13	6,7	5,3	13,4	9,5	6,7	14	10	10,6
Factor (K _s)	1	0,8	2	1,4	1	2,1	1,5	1,6

* When using multi-leg sling in choke lift - reduce the value by 20%.

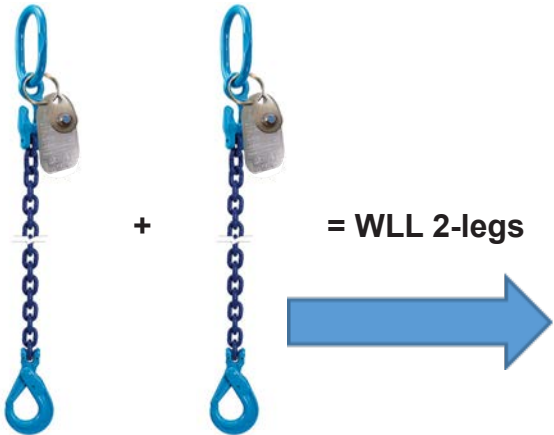
Multi-leg chain slings with less than the full number of legs in use



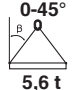
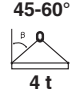




Occasions may arise when a lift needs to be made using a smaller number of legs than the number of legs in the chain sling. Legs that are not in use should be hooked back to reduce the risk of such legs swinging freely or snagging when the load is moved. POWERTEX chain sling tag addresses these situations as it gives correct information for 1-, 2-, 3- & 4-leg applications.

Combining two POWERTEX chain slings

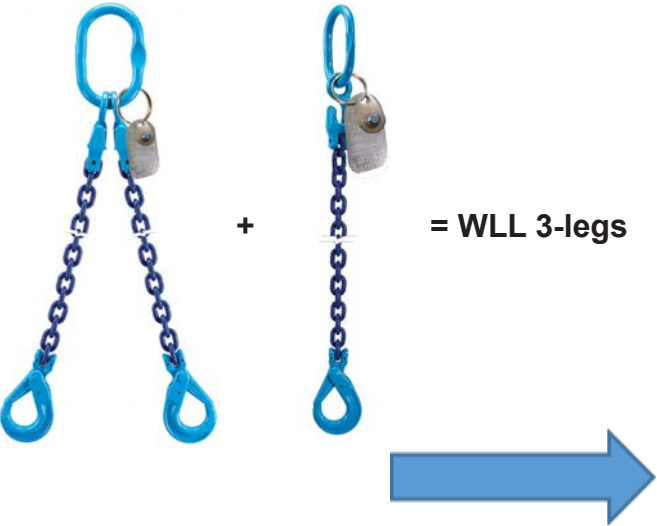
Two POWERTEX chain slings may be used in combination on the same crane hook to increase capacity and number of legs in use. Make sure the crane hook design is suitable for handling more than one chain sling. POWERTEX chain sling ID tags give correct WLL information for 1-, 2-, 3- & 4-leg applications.



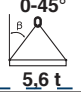
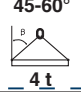

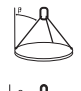


Example: 10 mm 1-leg chain sling + one additional 1-leg sling = WLL 2-legs
At angle 0-45 degrees the WLL is 5,6T



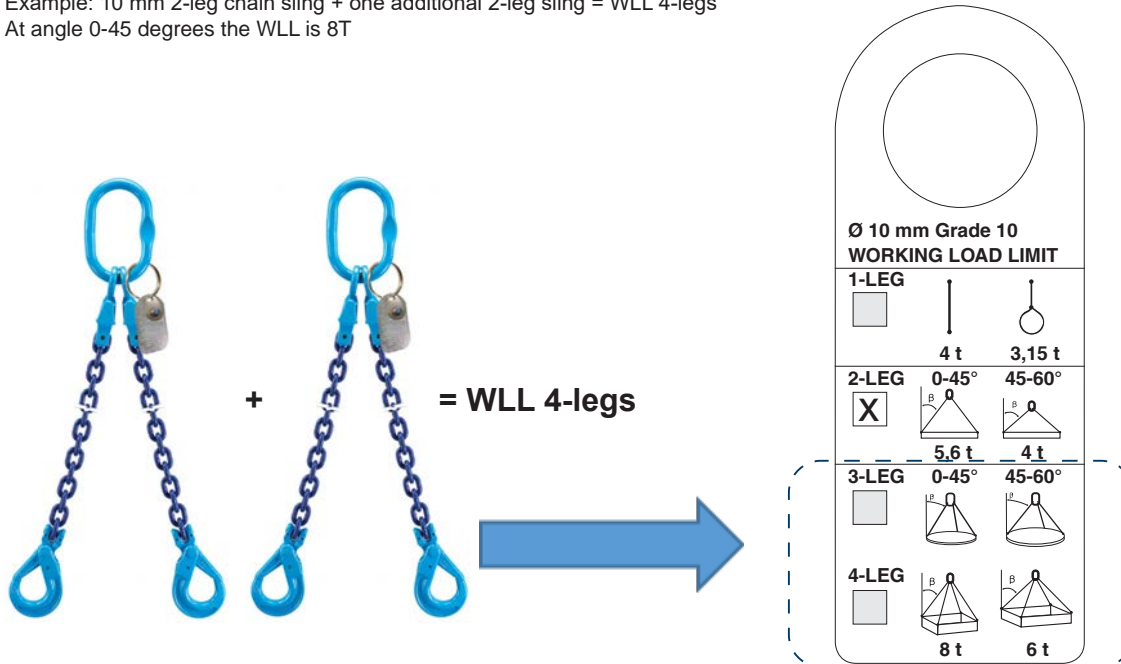
Ø 10 mm Grade 10 WORKING LOAD LIMIT		
1-LEG	<input checked="" type="checkbox"/>	 4 t  3,15 t
2-LEG	<input type="checkbox"/>	 0-45° 5,6 t  45-60° 4 t
3-LEG	<input type="checkbox"/>	 0-45°  45-60°
4-LEG	<input type="checkbox"/>	 8 t  6 t

Example: 10 mm 2-leg chain sling + one additional 1-leg sling = WLL 3-legs
At angle 0-45 degrees the WLL is 8T



Ø 10 mm Grade 10 WORKING LOAD LIMIT		
1-LEG	<input type="checkbox"/>	 4 t  3,15 t
2-LEG	<input checked="" type="checkbox"/>	 0-45° 5,6 t  45-60° 4 t
3-LEG	<input type="checkbox"/>	 0-45°  45-60°
4-LEG	<input type="checkbox"/>	 8 t  6 t

Example: 10 mm 2-leg chain sling + one additional 2-leg sling = WLL 4-legs
 At angle 0-45 degrees the WLL is 8T



Safe use

Preparation: Before starting the lift, it should be ensured that the load is free to move and is not bolted down or otherwise obstructed.

Protection may be required where a chain comes into contact with a load in order to protect either the chain or the load or both, since sharp corners of hard material may bend or damage the chain links, or conversely the chain may damage the load because of high contact pressure. Corner protection should be used to prevent such damage.

In order to prevent dangerous swaying of the load and to position it for loading, a tag line is recommended.

When loads are accelerated or decelerated suddenly, dynamic forces occur which increase the stresses in the chain. Such situations, which should be avoided, arise from snatch or shock loading ex. from not taking up the slack chain before starting to lift, or because of the shock from falling load being stopped.

Safety when lifting: Hands and other parts of the body should be kept away from the chain sling to prevent injury as the slack is taken up. When ready to lift, the slack should be taken up until the chain is taut. The load should be raised slightly, and a check made that it is secure and assumes the position intended. Lifting personnel must be aware of the risks of swinging and tilting loads. This is especially important with basket or other loose hitches where friction retains the load. Never allow persons or body parts under hanging load. Do not allow persons to ride on the load while the load is being lifted.

Landing the load: The landing site should be well prepared. It should be ensured that the ground or floor is of adequate strength to take the load taking account of any voids, ducts, pipes etc. which may be damaged or collapse. It should also be ensured that there is adequate access to the site and that it is clear of any unnecessary obstacles and people. It is preferable to use timber bearers or similar material to avoid trapping the sling or to protect the floor or load or to ensure the stability of the load when landed.

The load should be landed carefully ensuring that hands and feet are kept clear. Care should be taken to avoid trapping the chain sling beneath the load as this may damage the sling. Before allowing the chains to become slack, the load should be checked to ensure that it is properly supported and stable. This is especially important when several loose objects are lifted in basket hitch and choke hitch.

When the load is safely landed the chain sling should be carefully removed to avoid damage or snagging or causing the load to topple over. The load should not be rolled off the sling as this may damage the sling.

Storage of chain slings: When not in use chain slings should normally be kept on a properly designed rack. They should not be left lying on the ground where they may be damaged. If the chain slings are to be left suspended from a crane hook, the sling hooks should be engaged in the master link to reduce the risk of sling legs swinging freely or snagging. If it is likely that the slings will be out of use for some time they should be cleaned, dried, and protected from corrosion, e.g. lightly oiled.

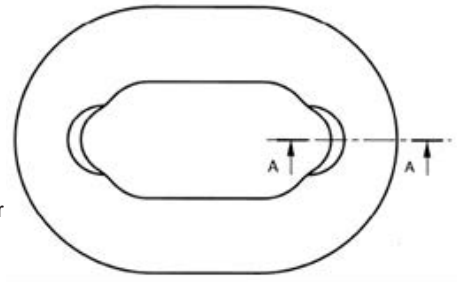
Inspection and maintenance

Examination: During service, chain slings are subjected to conditions that may affect their safety. It is necessary, therefore, to ensure, as far as is reasonably practicable, that the sling is safe for continued use.

If the tag or label identifying the chain sling and its working load limit becomes detached and the necessary information is not marked on the master link, or by some other means, the chain sling should be withdrawn from service.

The sling should be withdrawn from service and referred to a competent person for thorough examination if any of the following is observed before each use:

- a) Illegible sling markings i.e. sling identification and/or working load limit.
- b) Upper or lower terminal fitting has deformed.
- c) The chain has been overloaded. If the chain slings have extended if free rotation between the links are missing or if there is a noticeable difference in length between legs in a multi-leg sling, the reason can be that the chain has been overloaded.
- d) Wear by contact with other objects usually occurs on the outside of the straight portions of the links where it is easily seen and measured. Wear between adjoining links is hidden. The chain should be slack and adjoining links rotated to expose the inner end of each link. Inter-link wear (in the bearing points) is tolerated until the mean value of two measured values 90° against each other has been reduced to 90% of the nominal diameter.
- e) Cuts, nicks, gouges, cracks, excessive corrosion, heat discoloration, bent or distorted links or any other defects.
- f) Signs of "opening out" of hooks, i.e. any noticeable increase in the throat openings or any other form of distortion in the lower terminal. The increase in throat opening should not exceed 10% of the nominal value or be such as to allow the safety latch, if fitted, to become disengaged.



Inspection: A thorough examination should be carried out of a competent person at intervals not exceeding twelve months. This interval should be less where deemed necessary in the light of service conditions. Records of such examinations should be maintained.

Chain slings should be thoroughly cleaned to be free from oil, dirt and rust prior to examination. Any cleaning method which does not damage the parent metal is acceptable. Methods to avoid are those using acids, overheating, removal of metal or movement of metal which may cover cracks or surface defects.

Adequate lighting should be provided and the chain sling should be examined throughout its length to detect any evidence of wear, distortion or external damage.

Repair: Any replacement component or part of the chain sling should be in accordance with the appropriate European Standard for that component or part. Use only original spareparts.

If any chain link within the leg of a chain sling is required to be replaced then the whole length of the chain leg should be renewed.


The repair of chain in a welded chain sling should only be carried out by the manufacturer.

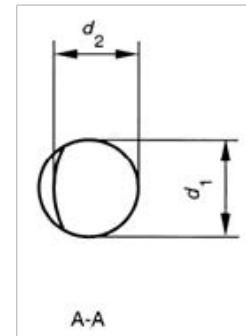
Components that are cracked, visibly distorted or twisted, severely corroded or have deposits which cannot be removed should be discarded and replaced.

Minor damage such as nicks and gouges may be removed by careful grinding or filing. The surface should blend smoothly into the adjacent material without abrupt change of section. The complete removal of the damage should not reduce the thickness of the section at that point to less than the manufacturer's specified minimum dimensions or by more than 10% of nominal thickness of the section.

In the case of chain slings on which repair work has involved welding, each repaired chain sling should be proof load tested following heat treatment using a force equivalent to twice the working load limit and thoroughly examined before it is returned to use. However, where repair is carried out by inserting a mechanically assembled component, proof-testing is not required providing that the component has already been tested by the manufacturer in accordance with the relevant European standard.

End of use/Disposal

 Chain sling shall always be sorted/scrapped as general steel scrap.
Your POWERTEX distributor will assist you with the disposal, if required.



POWERTEX Chain Sling in a Box PCSB

- Multifunctional chain sling system in Grade 10 packed in a box with all necessary markings and documents ready to use.
- 1-and 2-leg slings can easy and safely be combined into 3- and 4-leg use thanks to the informative sling tag
- Grade 10 slings with 25% higher capacity compared to traditional Grade 8 slings
- Light weight slings and easy to use thanks to the smart, multifunctional top components
- Cost effective slings compared to conventional slings thanks to use of multifunctional components
- The slings follow EN 818-4 +25% WLL
- Each welded masterlink and chain link is proof load tested in factory 2,5 x WLL prior delivery
- Each forged component is crack detection tested and samples (2% of lot) are proof load tested in factory prior delivery
- Each component is Fatigue Rated to 20,000 cycles at 1.5 times the WLL
- Each component is marked with batch number that links to the test certificate with full traceability to raw material
- No reduction in WLL when using our shortening hook
- Replacement parts available from your distributor
- Chain slings are chromium 6 free
- Slings are equipped with RFID chip
- POWERTEX 2.2 certificate & EC Declaration is enclosed with each sling
- POWERTEX User Manual enclosed with each box

Part Code	WLL ton	Length m	Description	Weight (kg)
240500600300010	1,4	3	Chain sling Grade 10, 1-leg 6 mm, 3 m, masterlink Grab Masterlink X-A04 and Clevis Self Locking hook X-026	3,6
240500600500010	1,4	5	Chain sling Grade 10, 1-leg 6 mm, 5 m, masterlink Grab Masterlink X-A04 and Clevis Self Locking hook X-026	5,4
240500800300010	2,5	3	Chain sling Grade 10, 1-leg, 8 mm, 3 m, masterlink Grab Masterlink X-A04 and Clevis Self Locking hook X-026	6,4
240500800500010	2,5	5	Chain sling Grade 10, 1-leg, 8 mm, 5 m, masterlink Grab Masterlink X-A04 and Self Locking hook X-026	9,6
240501000300010	4,0	3	Chain sling Grade 10, 1-leg, 10 mm, 3 m, masterlink Grab Masterlink X-A04 and Self Locking hook X-026	10,1
240501000600010	4,0	6	Chain sling Grade 10, 1-leg, 10 mm, 6 m, masterlink Grab Masterlink X-A04 and Self Locking hook X-026	17,6
240501300300010	6,7	3	Chain sling Grade 10, 1-leg, 13 mm, 3 m, extra large masterlink Grab Masterlink X-001-251+X-079-13 and Self Locking hook X-026	18,8
240501300600010	6,7	6	Chain sling Grade 10, 1-leg, 13 mm, 6 m, extra large masterlink Grab Masterlink X-001-251+X-079-13 and Self Locking hook X-026	31,7
240800600300010	2,0	3	Chain sling Grade 10, 2-legs, 6 mm, 3 m, masterlink Grab Masterlink X-A05 and Clevis Self Locking hooks X-026	6,7
240800600500010	2,0	5	Chain sling Grade 10, 2-legs, 6 mm, 5 m, masterlink Grab Masterlink X-A05 and Clevis Self Locking hooks X-026	10,3
240800800300010	3,55	3	Chain sling Grade 10, 2-legs, 8 mm, 3 m, masterlink Grab Masterlink X-A05 and Clevis Self Locking hooks X-026	11,5
240800800500010	3,55	5	Chain sling Grade 10, 2-legs, 8 mm, 5 m, masterlink Grab Masterlink X-A05 and Clevis Self Locking hooks X-026	17,9
240801000300010	5,6	3	Chain sling Grade 10, 2-legs, 10 mm, 3 m, masterlink Grab Masterlink X-A05 and Clevis Self Locking hooks X-026	18,1
240801000600010	5,6	6	Chain sling Grade 10, 2-legs, 10 mm, 6 m, masterlink Grab Masterlink X-A05 and Clevis Self Locking hooks X-026	33,1
240801300300010	9,5	3	Chain sling Grade 10, 2-leg, 13 mm, 3 m, extra large masterlink Grab Masterlink X-001-251+X-079-13 and Self Locking hook X-026	34,5
240801300600010	9,5	6	Chain sling Grade 10, 2-leg, 13 mm, 6 m, extra large masterlink Grab Masterlink X-001-251+X-079-13 and Self Locking hook X-026	60,3



CertMax+

The CertMax+ system is a unique leading edge certification management system which is ideal for managing a single asset or large equipment portfolio across multiple sites. Designed by the Lifting Solutions Group, to deliver optimum asset integrity, quality assurance and traceability, the system also improves safety and risk management levels.

CertMax

Marking

The POWERTEX Chain Sling is equipped with a RFID (Radio-Frequency Identification) tag, which is a small electronic device, that consist of a small chip and an antenna. It provides a unique identifier for the block.

The POWERTEX Chain Slings are **CE** marked

Standard: EN norms 818-4 +25 % WLL.



User Manuals

You can always find the valid and updated User Manuals on the web. The manual is updated continuously and valid only in the latest version.

NB! The English version is the Original instruction.

The manual is available as a download under the following link:
www.powertex-products.com/manuals

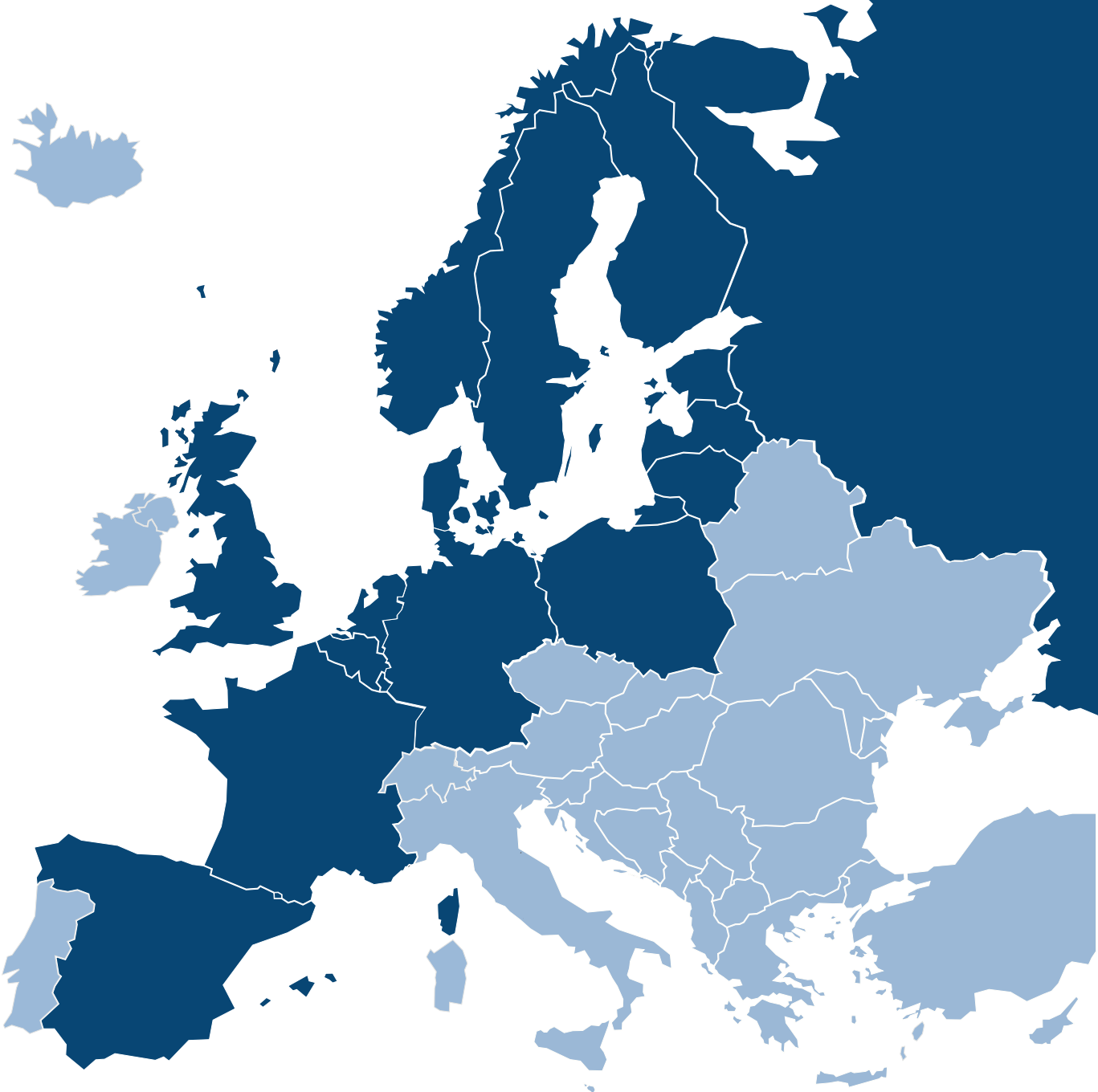


Product compliance and conformity

SCM Citra OY
Juvan Teollisuuskatui 25 C
02920 Espoo
Finland
www.powertex-products.com



POWERTEX



www.powertex-products.com