

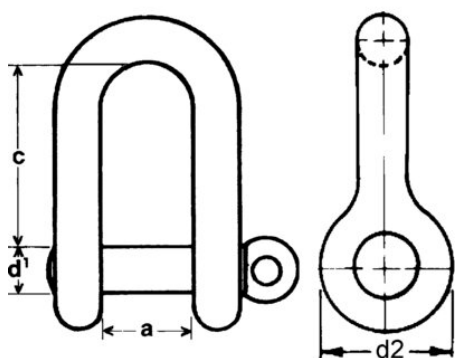
Dee Shackle No 30-Galvanized

Product information

General: Shackle for different applications.

[... Read more](#)

Finish: Galvanized.



Dee Shackle No 30-Galvanized

Technical data

Part code	Pin diameter mm	D1 mm	A mm	C mm	D2 mm	Weight kg
490100500190	5	4,8	9,5	19,1	11,0	0.02
490100600190	6	6,4	12,7	25,4	14	0.04
490100800190	8	8,0	15,9	31,8	18,0	0.07
490101000190	10	9,5	19,1	38,1	20,0	0.11
490101200190	12	12,7	25,4	51,0	26,0	0.25
490101400190	14	15,9	28,6	57,0	30,0	0.44
490101600190	16	19,10	31,6	64,0	34,0	0.6
490101900190	19	22,2	38,10	76,0	42,0	0.98
490102200190	22	25,4	44,5	89,0	48,0	1.43
490102500190	25	28,6	51,0	102	51,0	2.1